

ON-BOARD Embedded Access Control



- ▶ Full featured ON-BOARD Embedded software application
- ▶ Embedded on ASP-4 & ASP-2 controllers
- ▶ No software loading is required
- ▶ User customizable roles
- ▶ Easily create, export & print reports
- ▶ iOS & Android app for monitoring and control

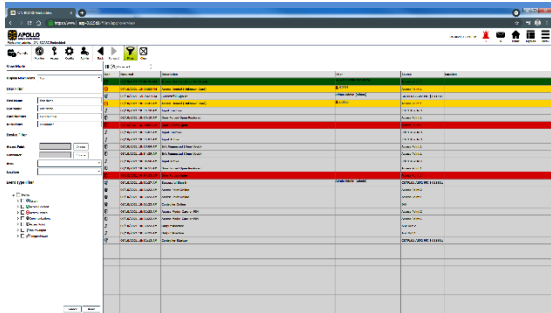
Access Control via Web Browser

Apollo ON-BOARD EMBEDDED is powerful Plug and Play access control package used in conjunction with Apollo ASP-4 four reader and ASP-2 two reader controllers. Access control software located and runs locally on Apollo controllers. Supports a combined total of 16 controllers, 1 primary and 15 secondary controllers that can be connected to the network and supported by a single connection. No local server is required for loading of access control software. Users can easily configure the system, add cardholders, monitor events and monitor hardware status, and run reports via Web Browser. Native mobile app for iOS and Android is also available for monitoring the system and controlling door modes. Secure communications are supported with HTTPS Web Application.

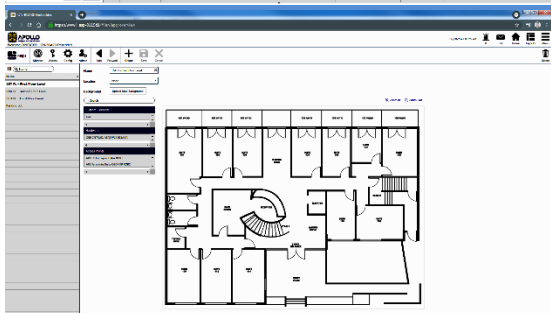
Similar access control/alarm management advanced features available in server-based access control software package:

- Network based discovery
- Multiple user logins, with built-in configurable roles (As many as 10 simultaneous connections)
- Overview dashboard
- Multi-pane layouts to view multiple screens in a single window
- In-application notifications, email capability
- Up to 5000 cards supported regardless of features utilized
- Scalable up to 64 readers (with both Entry and Exit Configuration)
- Supports for industry standard Wiegand and OSDP card readers
- Basic alarm management
- Cardholder addition/modification/deletion
- Automatic on-board backup and archiving
- Firmware upgrades
- Maps
- Access levels, time zones, card formats, door modes, lockdown, linkages, APB, holidays and mustering available in Apollo controllers supported in ON-BOARD EMBEDDED.
- Multiple language supported

FEATURES



Real-Time Event Monitoring - Select all or part of system objects to monitor live on-screen as they happen in the system.

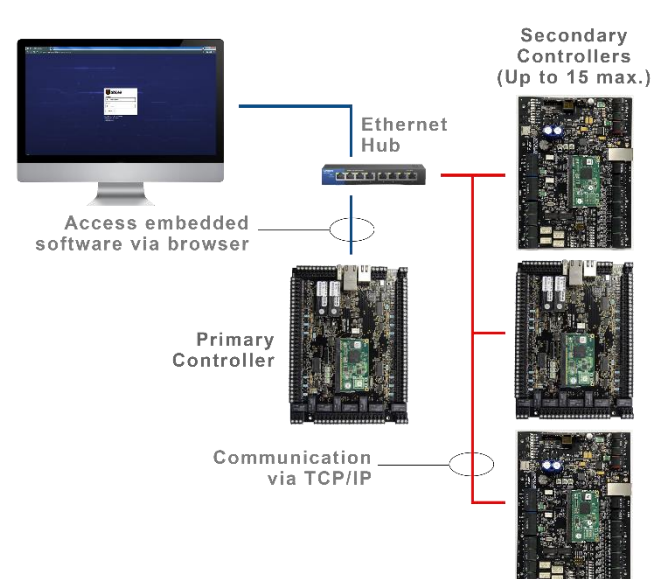
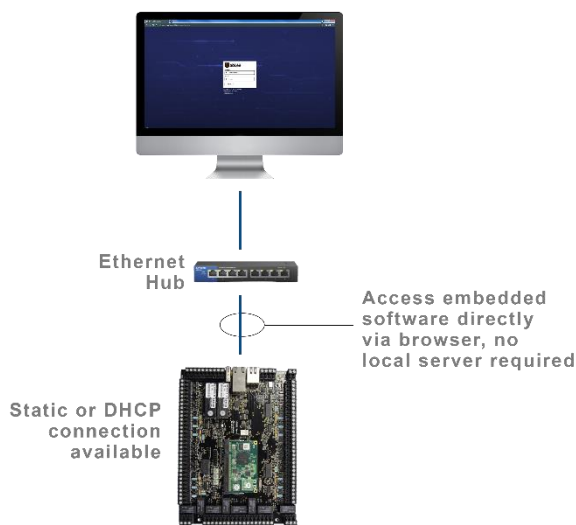


Maps – Real time maps monitoring. Maps can be uploaded and controllers, doors, and alarms can be placed on map.



Reader Control - Quickly change the state of doors throughout the system to increase security or unlock doors as needed. Pick from your favorites list or search for a reader and change the status or issue a one-time open command.

CONFIGURATION DIAGRAM



Model Part	Number	Description
ON-BOARD Primary	441000	Embedded software on ASP-2 or ASP-4 Primary controller
ON-BOARD Secondary	441001	Embedded software on ASP-2 or ASP-4 Secondary controller



3610 Birch Street
 Newport Beach, CA 92660-2619, USA
 Tel: +1 949 852 8178 | Fax: +1 949 852 8172
www.apollo-security.com

Rev A, 2 July 2021 © Apollo/ADME Inc.,
 Information contained in this document is subject to change without notice.